

A/T SCANX[®] ERASER

OPERATOR'S MANUAL

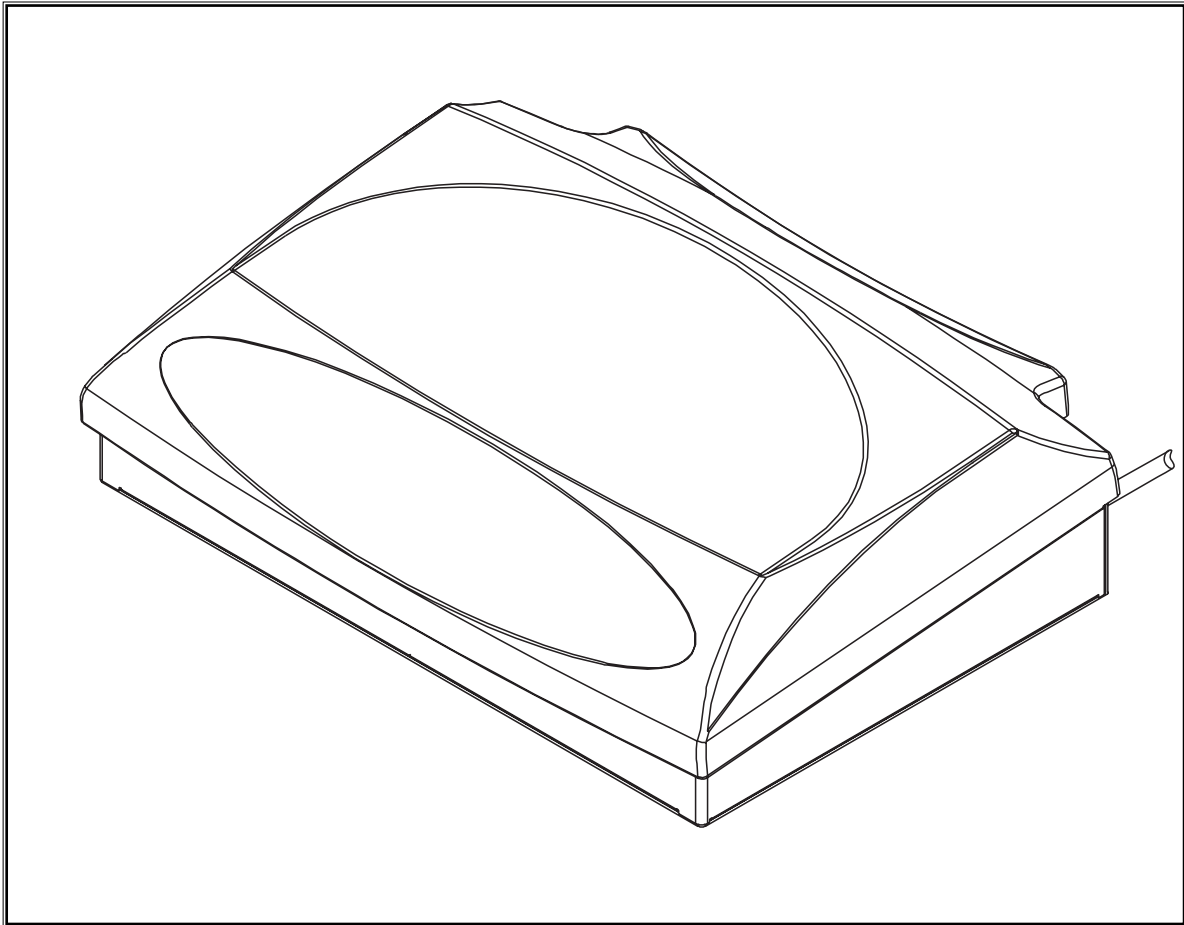


TABLE OF CONTENTS

Introduction3
Warranty3
On-Line Warranty Registration3
Safety Instructions3
Specifications4
Dimensions5
Installation5
Operation6
Cleaning Instructions6
Phosphor Storage Plate Handling6
Phosphor Storage Plate Placement7

INTRODUCTION

Thank you for purchasing an Air Techniques **A/T SCANX[®] ERASER**. The **A/T SCANX[®] ERASER** is designed to completely and efficiently erase all sizes of Phosphor Storage Plates (PSP).

We have designed and manufactured this **A/T SCANX[®] ERASER** using the latest technology to give you many years of dependable service. To ensure that your **A/T SCANX[®] ERASER** gives you the highest level of service, review and follow the guidelines outlined in this Operator's Manual.

WARRANTY

This Air Techniques equipment is warranted to be free from defects in material and workmanship from the date of installation for a period of twelve months.

Any item returned to our factory in Hicksville, New York, through an authorized dealer, will be repaired or replaced at our option at no charge provided that our inspection shall indicate it to have been defective. Dealer, labor, shipping and handling charges are not covered by this warranty.

This warranty does not apply to damage due to shipping, misuse, careless handling or repairs by other than authorized service personnel. Air Techniques is not liable for indirect or consequential damage or loss of any nature in connection with this equipment.

This warranty is in lieu of all other warranties expressed or implied. No representative or person is authorized to assume for us any liability in connection with the sale of our equipment.

ON-LINE WARRANTY REGISTRATION

Quickly and easily register your new **A/T SCANX[®] ERASER** on-line. Just have your product model and serial numbers available. Then go to the Air Techniques website, www.airtechniques.com, click the **warranty link** and complete the registration form. This on-line registration ensures a record for the warranty period and helps Air Techniques keep you informed of product updates and other valuable information.

SAFETY INSTRUCTIONS

ATTENTION USERS:

Manufacturing date code on serial number label is in the format Month YYYY.

WARNING: To prevent fire or electrical shock, do not expose this appliance to rain or moisture. Use of the **A/T SCANX[®] ERASER** not in conformance with the instructions specified in this manual may result in permanent failure of the unit.



This symbol alerts the user that important Operating and Maintenance instructions have been included with the unit. Read carefully to avoid any problems.



This symbol represents protective Earth Ground

DO NOT ATTEMPT INTERNAL SERVICE

The interior of the Main Assembly is only accessible by removing hardware with tools and should only be opened and serviced by a Qualified Service Technician. Failure to heed this warning may result in equipment damage or personal injury.

Please contact your local authorized Air Techniques dealer for service information.

SPECIFICATIONS

MODELS: 73800, 73800C, 73800D & 73800J

Power Requirements:	108-265V AC, 50/60 Hz 0.75 A maximum
Environmental Conditions: (Unit in Operation)	
Temperature:	50°F to 105°F
Humidity:	5% to 95% Relative Humidity (Non-Condensing)
Installation Category:	2
Pollution Degree:	2
Erasing Surface Size:	Erasing area 8" x 12"
Phosphor Storage Plate Capacity:	All sizes, up to 21 Size 2 PSP's. See PHOSPHOR STORAGE PLATE PLACEMENT for examples of more options.
Light Output:	25,000 lux minimum
Illumination Time:	Approximately 35 seconds from last actuation of switch.
Bulb Rating:	24 Watt, two fluorescent bulbs.
Weight:	12 lbs.

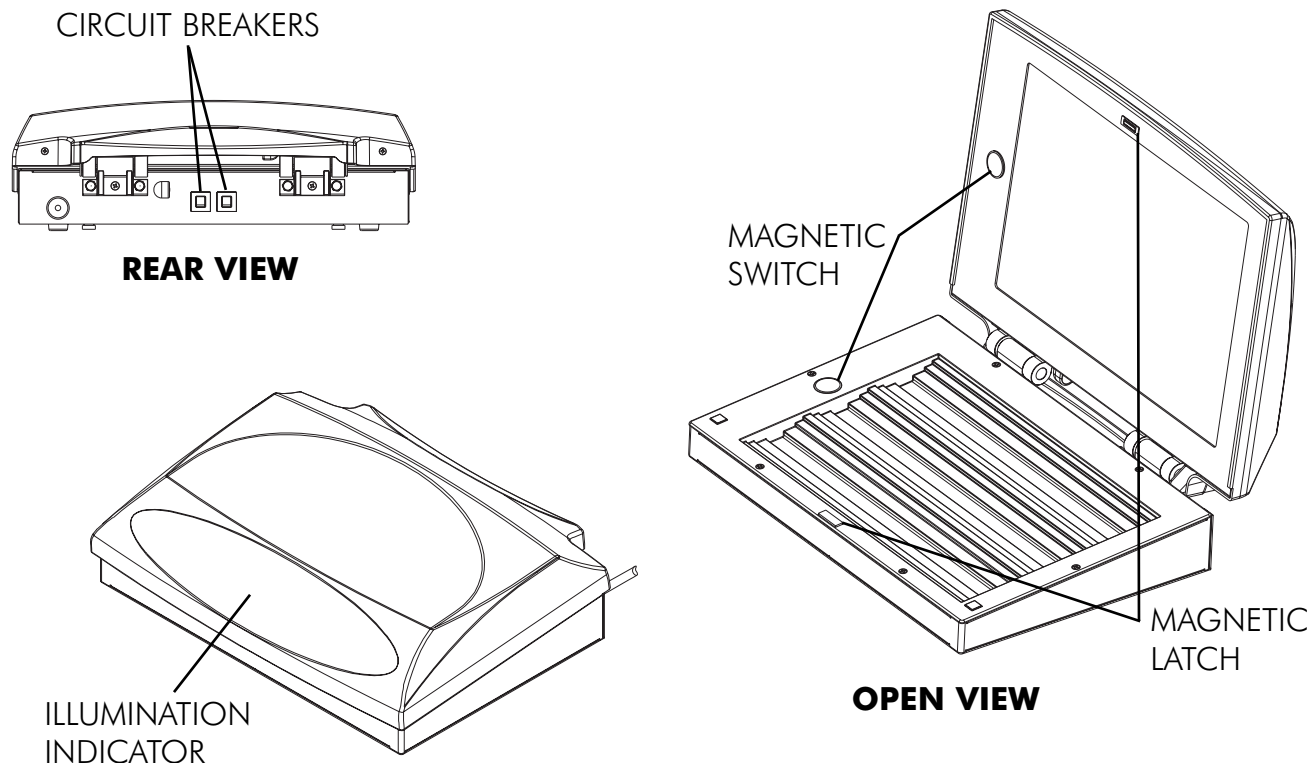


FIG. 1

DIMENSIONS

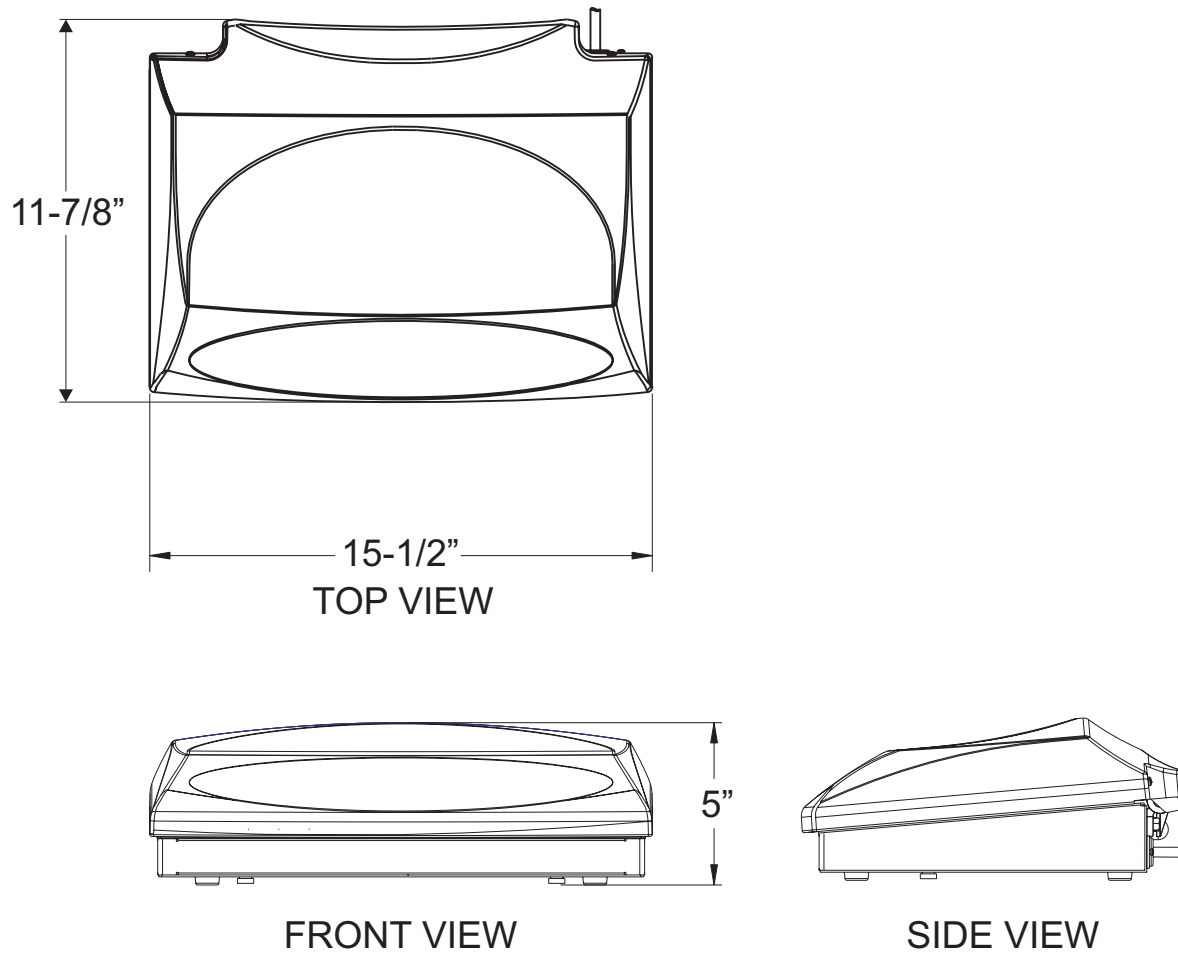


FIG. 2

INSTALLATION

The **A/T SCANX[®] ERASER** may be located almost anywhere in the dental office.

Follow these guidelines for optimal performance.

- Place on a stable, flat counter top large enough to hold the Eraser and to provide a working area.
- Provide access to a standard grounded electric 115V AC outlet with supplied line cord. 220-240V, 50/60 Hz operation optional with corresponding line cord.
- The supplied line cord serves as the MAINS disconnection device.

OPERATION

To operate A/T SCANX[®] ERASER.

1. Open the **A/T SCANX[®] ERASER** lid.
2. Place Phosphor Storage Plates (PSP's) on **A/T SCANX[®] ERASER** tray with blue or white side of PSP's facing up as suggested in FIG. 3 - 8.
3. Close the **A/T SCANX[®] ERASER** lid.
4. The **A/T SCANX[®] ERASER** will automatically start the erasing process and run for approximately 35 seconds to completely erase the PSP's. The Illumination Indicator will be lit during the erasing process and will turn off upon its completion.

Cleaning Instructions:

1. Disconnect the A/T SCANX[®] ERASER by removing the supplied line cord from the unit.
2. Wipe the glass surface underneath the lid, and the grooves of the tray using a clean, damp cloth.
3. Wipe the surfaces again until they are dry with a dry cloth.
4. Once the cleaned surfaces have dried, reconnect the supplied line cord to the A/T SCANX[®] ERASER.

PHOSPHOR STORAGE PLATE (PSP) HANDLING

Important: Completely erase Phosphor Storage Plates (PSP's) prior to use.

Always allow the PSP's to remain in Eraser until completion of cycle.

Use PSP's within 24 hours of last erasure. Repeat erasing process if PSP's have been stored longer than 24 hours.

Handle PSP's with care.

- Avoid scratching or soiling PSP's.
- Do not bend PSP's or apply unnecessary pressure.
- Do not store PSP's in a hot or moist area.
- Protect the PSP's from direct sunlight and ultraviolet rays.
- Pick up the PSP's using two fingers around the edges to avoid unnecessary contact with the plates.

Disposal of PSP's.

Consult with your federal, national, state and local government, for rules and regulations on disposal of PSP's.

PHOSPHOR STORAGE PLATE (PSP) PLACEMENT

Some Examples of PSP arrangements.

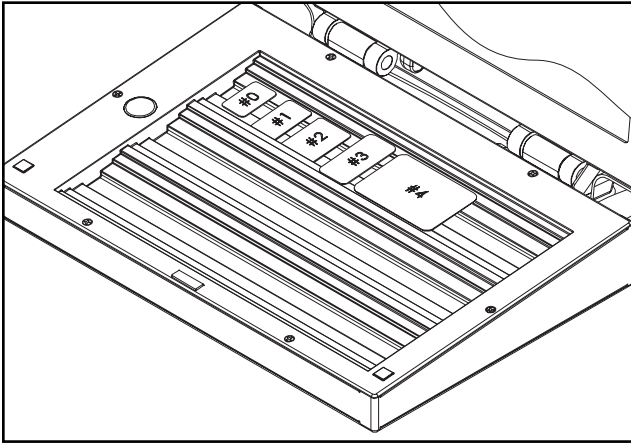


FIG. 3: SUGGESTED PSP ORIENTATION

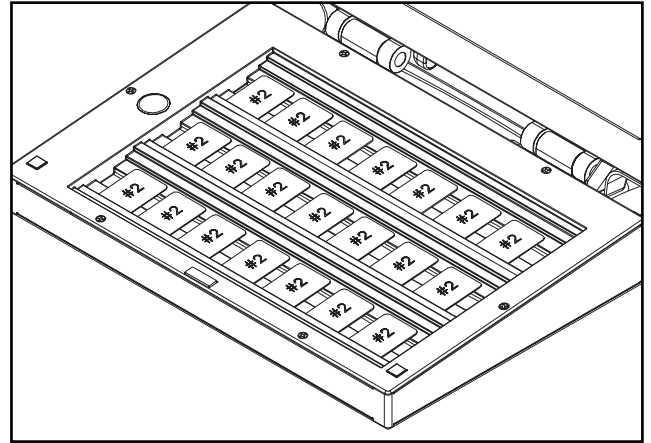


FIG. 4: ARRANGEMENT FOR 21 SIZE 2 PSP's

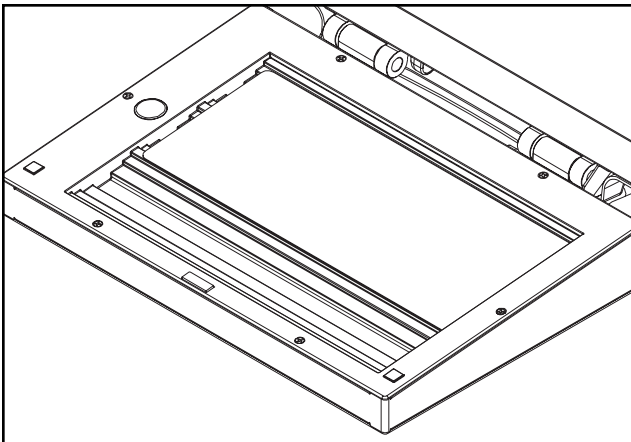


FIG. 5: ONE 5" x 12" PAN PSP

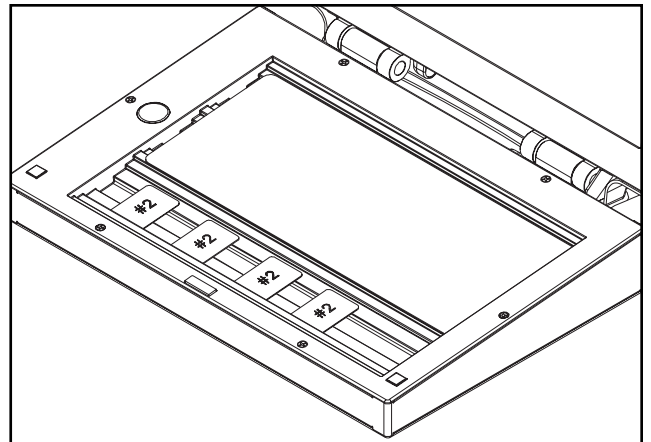


FIG. 6: ONE 5" x 12" PAN PSP & FOUR SIZE 2 PSP's

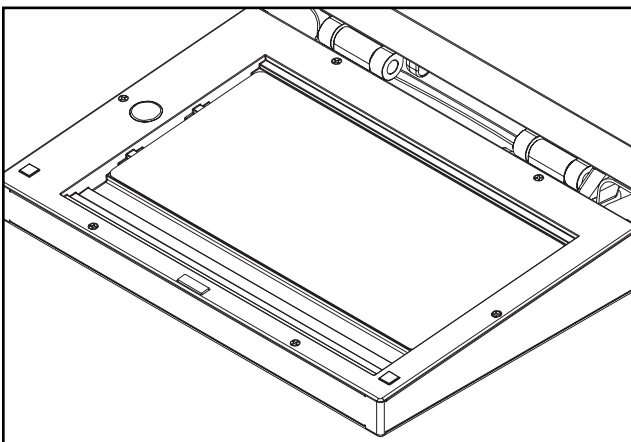


FIG. 7: ONE 15cm x 30cm PAN PSP

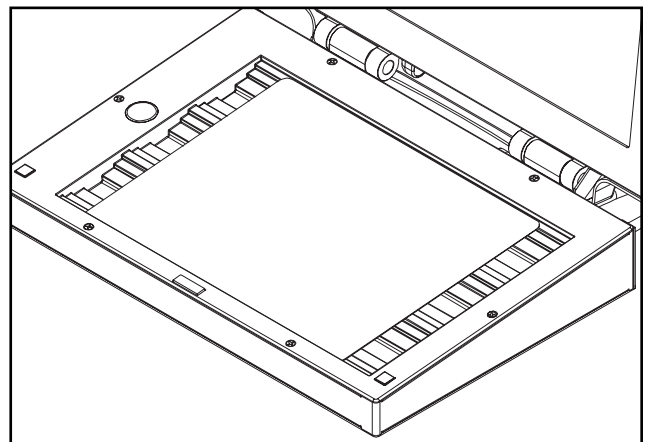


FIG. 8: ONE 8" x 10" CEPH PSP

Air Techniques is a leading manufacturer of fine dental equipment from air and vacuum systems and X-ray film processors, to an impressive line of new products incorporating the most recent technological advances. These new products, vital components of the innovative dental practice, include intraoral cameras, air abrasion systems, rapid curing and bleaching systems, a digital imaging system which utilizes phosphor plate technology and, most recently, an intraoral X-ray system.

Air Techniques has been manufacturing quality products for the dental professional since 1962.

- Acclaim Intraoral Digital Video Camera System
- AirDent™ II / AirDent II CS™
- AirStar®
- Guardian™ Amalgam Collector
- A/T 2000® XR
- ARC Light®
- Peri-Pro®
- Provecta 70™
- ScanX®
- SLC
- STS™
- VacStar™
- VistaCam Omni®
- VistaCam Omni® ic4

CORPORATE HEADQUARTERS

70 Cantiague Rock Road, P. O. Box 870, Hicksville, New York 11802-0870
1-800-AIR-TECH (516) 433-7676 FAX: (516) 433-7684
(1-800-247-8324)

WESTERN FACILITY

291 Bonnie Lane, Suite 101, Corona, CA 92880
1-800-822-2899 (951) 898-8555 FAX: (951) 898-7646

