

# REMOTE WATER CONTROL VALVE

## INSTALLATION INSTRUCTIONS

### MODELS #53170, #53173, (24 volt) 53171, 53174 (115 volt)

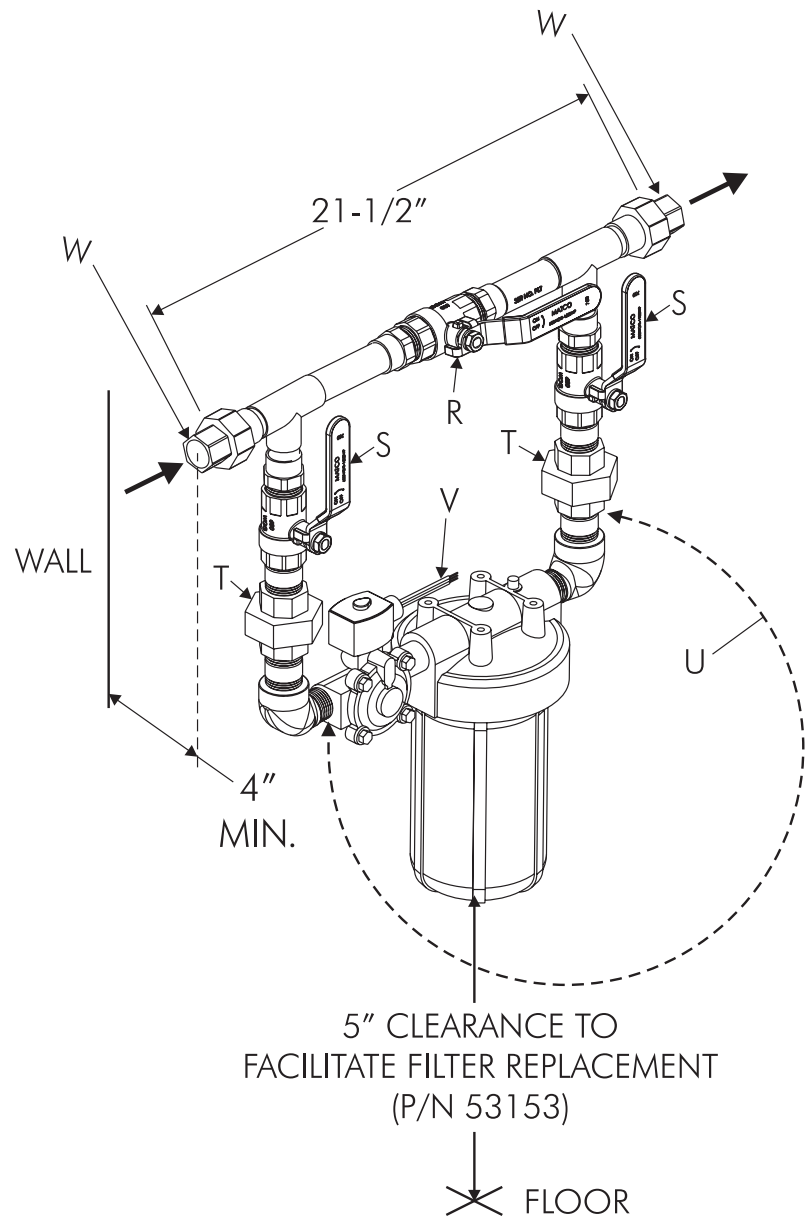
I. The Remote Control Valve assembly mounts in a horizontal run of 1" water pipes readily accessible to the user. Inlet and outlet connections are solder type unions. Should the available inlet or outlet pipes be other than 1", the installer is to provide suitable reducer fittings. Water pressure must not exceed 100 psi. Water temperature must not exceed 100°F. Install the assembly in an area protected from freezing and direct sunlight.

#### II. VALVE POSITION & FLOW DIRECTION

- R - Upper valve control
- S - Lower valve controls
- T - 1" Unions
- U - Solenoid and Filter assembly #53170, 53171 or Solenoid assembly #53173, 53174
- V - 18-3 AWG cable to Remote Panel or Switch
- W - Solder type Union 1"

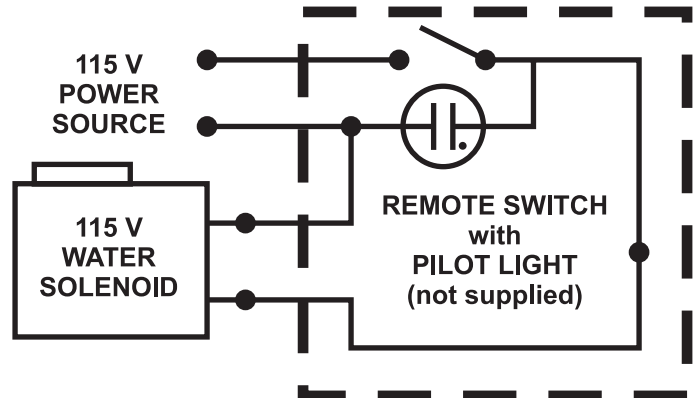
Inlet is on left and discharge is on right. This may be reversed as follows:

- 1) Disconnect the solenoid valve assembly (U) from the valves (S) at the two unions (T).
- 2) Rotate 180 degrees.
- 3) Retighten the two unions (T) to (U).
- 4) Be sure that water flow direction is into "IN" side of solenoid valve assembly (U).



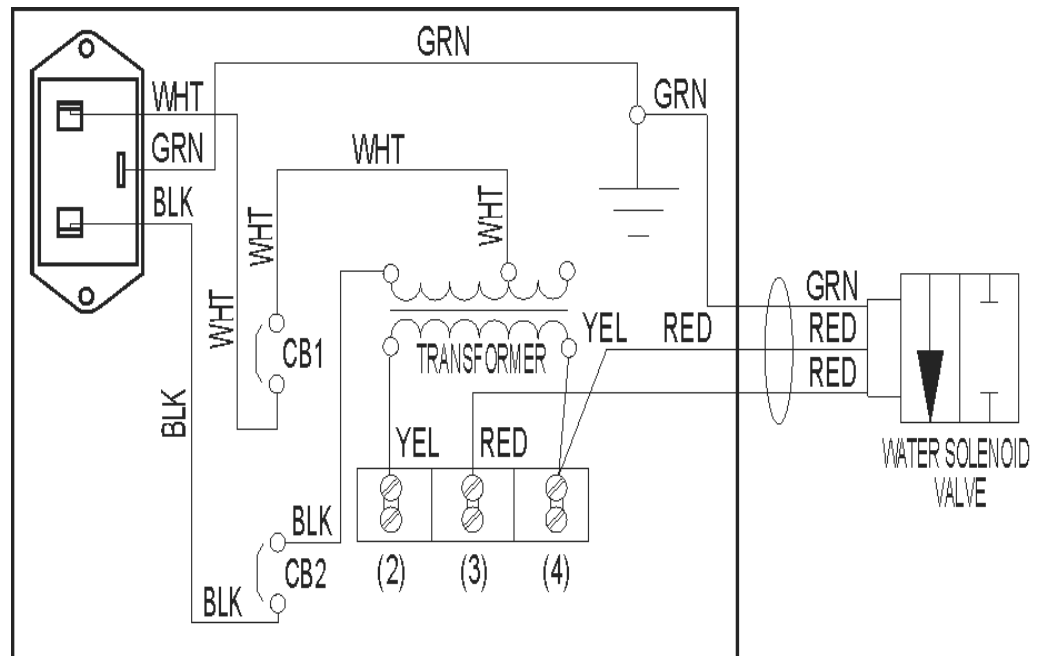
### III. WIRING SCHEMATICS

115 Volt units  
MODELS 53171, 53174



### WATER SYSTEM TRANSFORMER PN 53150

24 Volt units  
MODELS 53170,  
53173



### IV. FILTER REPLACEMENT

The Filter Element Replacement, P/N 53153 should be replaced as needed.

- 1) Close two valves (S), and press red button to release pressure.
- 2) Unscrew filter bowl, remove and replace filter.  
(have bucket or pan handy to catch water resident in loop).
- 3) Reinstall filter bowl.
- 4) Open valves (S), check for leaks.
- 5) Press red button to relieve entrapped air.