

REMOTE WATER CONTROL VALVE

INSTALLATION INSTRUCTIONS

MODELS #53020, #53021, (24 volt) 53020-1, 53021-1 (115 volt)

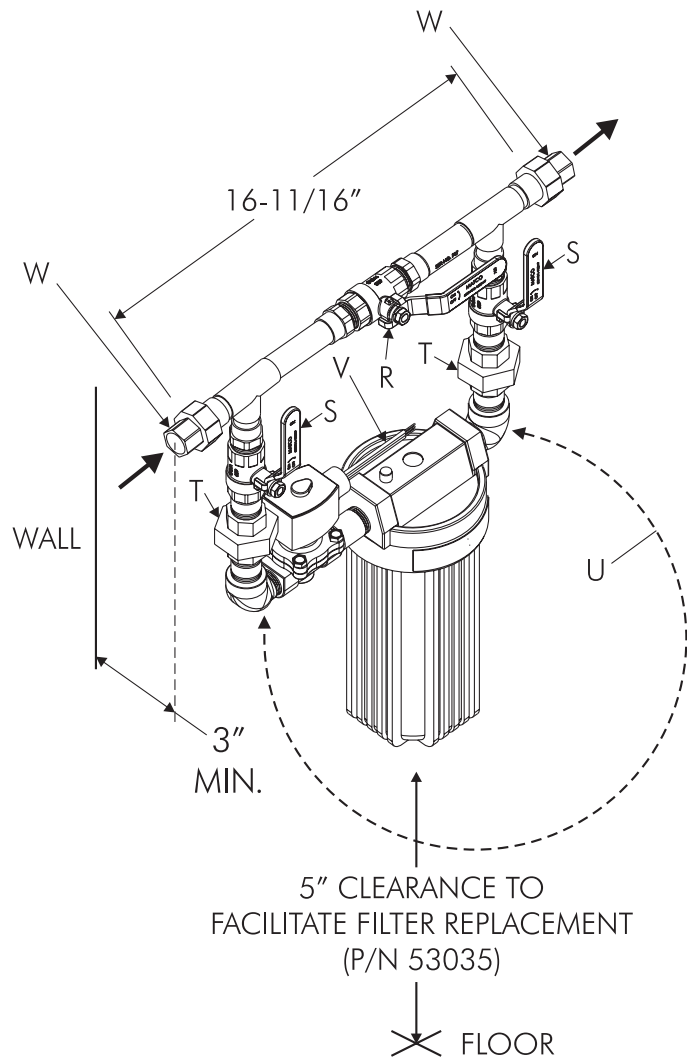
I. The Remote Control Valve assembly mounts in a horizontal run of 3/4" water pipes readily accessible to the user. Inlet and outlet connections are solder type unions. Should the available inlet or outlet pipes be other than 3/4", the installer is to provide suitable reducer fittings. Water pressure must not exceed 100 psi. Water temperature must not exceed 100°F. Install the assembly in an area protected from freezing and direct sunlight.

II. VALVE POSITION & FLOW DIRECTION

- R - Upper valve control
- S - Lower valve controls
- T - 3/4" Unions
- U - Solenoid and Filter assembly #53020, 53020-1 or Solenoid assembly #53021, 53021-1
- V - 18-3 AWG cable to Remote Panel or Switch
- W - Solder type Union 3/4"

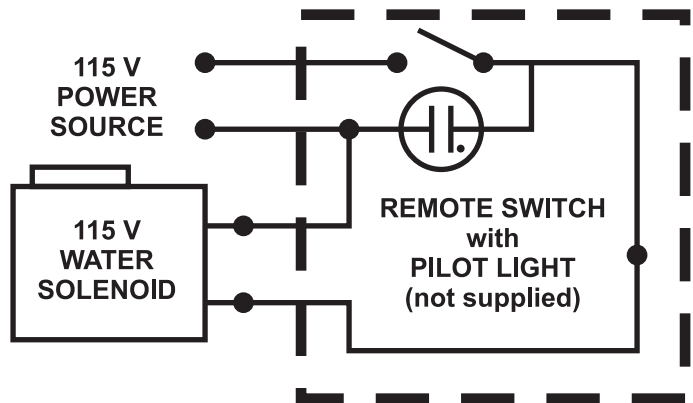
Inlet is on left and discharge is on right. This may be reversed as follows:

- 1) Disconnect the solenoid valve assembly (U) from the valves (S) at the two unions (T).
- 2) Rotate 180 degrees.
- 3) Retighten the two unions (T) to (U).
- 4) Be sure that water flow direction is into "IN" side of solenoid valve assembly (U).



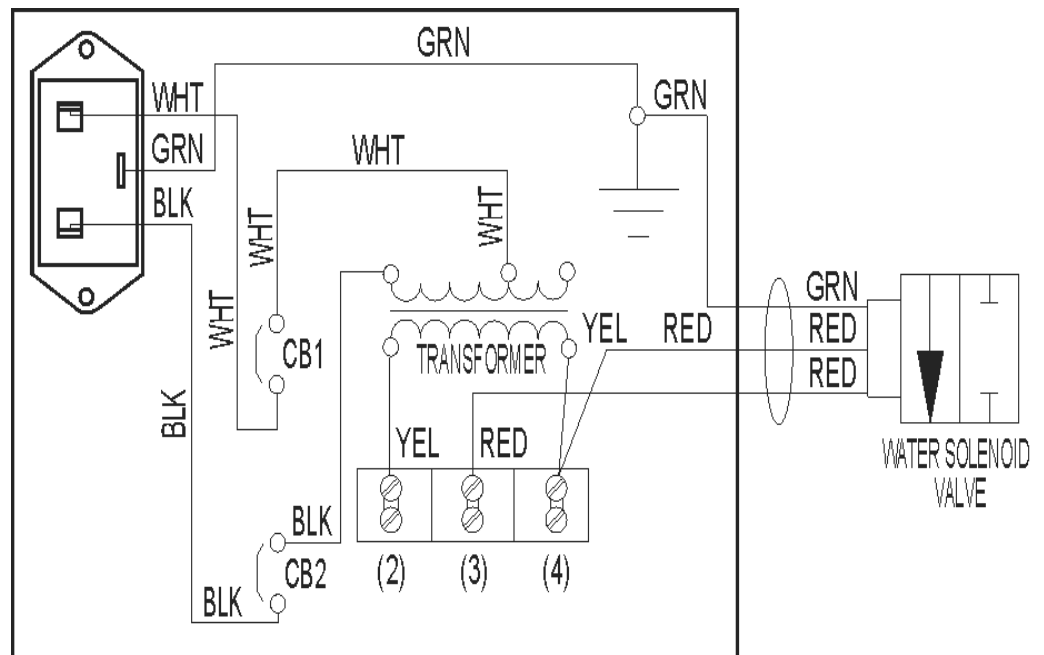
III. WIRING SCHEMATICS

115 Volt units
 MODELS 53020-1, 53021-1



WATER SYSTEM TRANSFORMER PN 53150

24 Volt units
 MODELS 53020,
 53021



IV. FILTER REPLACEMENT

The Filter Element Replacement, P/N 53035 should be replaced as needed.

- 1) Close two valves (S), and press red button to release pressure.
- 2) Unscrew filter bowl, remove and replace filter.
 (have bucket or pan handy to catch water resident in loop).
- 3) Reinstall filter bowl.
- 4) Open valves (S), check for leaks.
- 5) Press red button to relieve entrapped air.